

12A-469R090 (2007)
General Assembly

Page 2 of 5

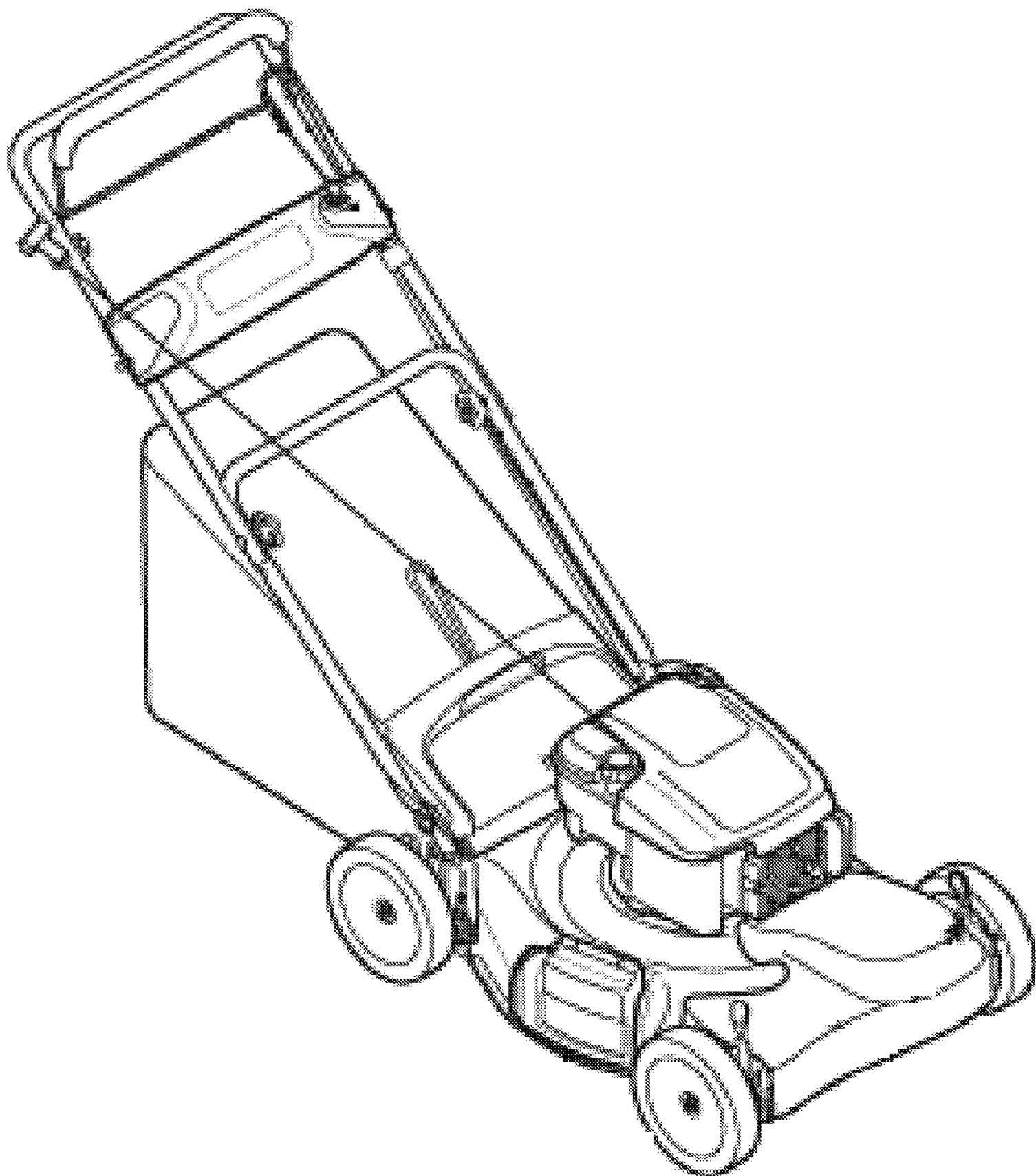
Ref #	Part Number	Qty	S/P/F	Description
1	747-1214	1		Drive Control
2	749-0928A	1	S	Lower Handle
3	710-0703	1	/P	Carriage Bolt 1/4-20
4	618-04376A	1	S	Transmission Assembly
5	731-05865	1		Rear Discharge Door
6	754-0637A	1	S	V-Belt
7	747-1161A	1	S	Blade Control
8	749-1233D	1	S	Upper Handle (Electric Start)
8	749-1092A	1	/P	Upper Handle (Non-electric start)
9	731-04177	1	/P	Chute Deflector
10	687-02055	1	S	Mulch Plug Complete
11	732-04090A	1		Torsion Spring - RH
12	747-04080	1	S	Grass Bag Frame
13	720-0279	1	/P	Handle Knob
14	720-04072	1	S	Handle Knob
15	710-1205	1	/P	Eye Bolt
16	746-1132	1	S	Control Cable - 40.75"
16	746-04135	1		Control Cable - 39" (Kawasaki)
17	710-1174	1	/P	Carriage Bolt 5/16-18 x 2.0
18	731-04859	1		Bail Cover If Equipped
19	726-0240	1	S	Cable Tie
20	714-0104	1	S	Cotter Pin
21	710-0654A	1	/P	Self-Tapping Sems Screw
22	746-04203	1	S	Drive Cable
23	664-04007A	1	S	Grassbag - Black
23	664-04034A	1	S	Grassbag - Gray
24	710-1650	1	/P	Shoulder Screw # 12 -24
25	747-04587	1		Pivot Rod
26	710-04371	1		Screw, 1/4-15 x 1.00
27	732-1043	1		Belt Tension Spring
28	731-05642	1	S	Rear Trailing Shield
29	731-04150C	1	/P	Rear Baffle
30	731-0981A	1	S	Hub Cap If Equipped
31	712-0397	1	S	Wing Nut
32	731-05013A	1	S	Transmission Cover - Black
32	731-05250	1	S	Transmission Cover - Gray
33	748-04015A	1	S	Blade Adapter
34	742-0741	1	S	21" Mulching Blade
35	736-0524B	1	/P	Blade Bell Support
36	710-1257	1	/P	Hex Screw 3/8-24 x 2.50
37	625-04029	1	S	Electric Starter Harness If Equipped
38	728-0199	1		Rivet If Equipped
39	725-0201	1	S	Key If Equipped
40	710-1667A	1	/P	Screw, #10-16 x .75 If Equipped
41	731-05459	1	S	Battery Housing If Equipped
42	725-04347	1	S	Key Switch If Equipped
43	725-04323	1	S	12 Volt Battery If Equipped
44	725-04329	1		Battery Charger If Equipped
45	710-0599	1	/P	TT Screw 1/4-20 x 0.5
46	736-0270	1	/P	Bell Washer.265 x 0.75
47	17032A	1	/P	Deflector Chute Adapter
48	732-1014	1		Torsion Spring
49	747-0710	1		Pin

12A-469R090 (2007)
General Assembly

Page 3 of 5

Ref #	Part Number	Qty	S/P/F	Description
50	682-0015	1	S	Bearing Assembly
51	787-01278	1	/P	21" Deck
52	687-02194	1	S	Height Adjustment Ass'y - RH
52	687-02193	1	S	Height Adjustment Ass'y - LH
53	750-04595	1		Slev. Spacer 1.4" Lg.
54	710-0216	1	/P	Hex Screw, 3/8-16 x.75
55	712-04065	1	/P	Flange Lock Nut, 3/8-16
56	782-5002B	1	/P	Front Baffle
57	736-0447	1	S	Wave Washer
58	750-04594	1		Sleeve Spacer 8.985" Lg.
59	687-02044	1	S	Pivot Plate Assembly
60	720-0426	1	/P	Adjustment Knob
61	634-0190	1		Front Wheel, 8 x 1.8, Bar
61	734-2042	1	S	Front Wheel, 8 x 2.125, Zag
62	710-04531	1		Screw, 1/4-20 x .390
63	717-1762	1		Gear 14T RH FWD
63	717-1761	1		Gear 14T LH FWD
64	710-1652	1	/P	TT Scr. w/Washer 1/4-20 x.625
65	687-02271	1	S	Handle Bracket Assembly - RH
65	687-02270	1	S	Handle Bracket Assembly - LH
66	715-0221	1	S	Dowel Pin
67	736-0474	1		Washer
68	687-02071A	1	S	Pivot Arm Assembly - RH
68	687-02070A	1	S	Pivot Arm Assembly - LH
69	732-04175	1		Rear Spring Lever
70	738-0507B	1	S	Shoulder Scr., 500 Dia. x. 434
71	734-1987	1	/P	Rear Wheel, 8 x 1.8, Bar
71	734-2004A	1	S	Rear Wheel, 8 x 2.125, Zag, w/BB
71	734-2005A	1	S	Rear Wheel, 8 x 2.125, Zag
72	787-01298	1	S	Height Adjuster Plate - RH
72	787-01299	1		Height Adjuster Plate - LH
73	732-0706	1		Front Lever - RH
73	732-0707	1		Front Lever - LH
74	716-0102	1	S	Snap Ring
75	782-7551A	1	/P	Wheel Dust Cap
76	736-0504	1	S	Washer, Wave, .510 x .750 x .017 If Equipped
77	725-04310	1		Extension Harness (Kawasaki) If Equipped

12A-469R090 (2007)
Quick Reference 469R



12A-469R090 (2007)
Quick Reference 469R

Page 5 of 5

Ref #	Part Number	Qty	S/P/F	Description
	759-3338	1	/P	Spark Plug 802592S
	BS-493537S	1	/P	Pre Filter
	BS-491588S	1	/P	Air Filter
	BS-298090S	1	/P	Fuel Filter
	746-1132	1	S	Cable Control (Brake)
	746-04203	1	S	Drive Cable
	754-0637A	1	S	Drive Belt
	742-0741	1	S	Blade
	710-1257	1	/P	Blade Bolt
	748-04015A	1	S	Blade Adapter
	736-0524B	1	/P	Bell Blade Support
	634-0190	1		Wheels (Front)
	734-1987	1	/P	Wheels (Rear)
	731-0981A	1	S	Hub Cap
	731-05642	1	S	Trail Shield
	731-04177	1	/P	Side Discharge Chute
	664-04034A	1	S	Grass Bag
	687-02055	1	S	Mulch Plug (Attachment)